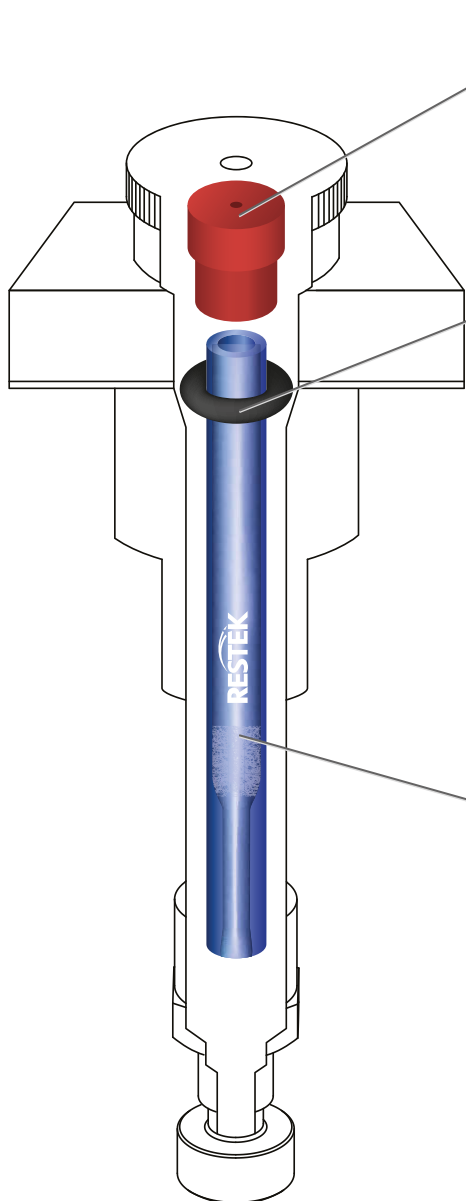


# Inlet Supplies for Shimadzu GCs with Split/Splitless Inlet



## Shimadzu Plug Thermolite Plus Septa

Diameter	qty.	Similar to Part #	cat.#
Shimadzu Plug	50-pk.	Agilent 8010-0215	23872
Shimadzu Plug	100-pk.	Agilent 8010-0216	23873

## Shimadzu Plug Premium Non-Stick BTO Septa

Diameter	qty.	cat.#
Shimadzu Plug	50-pk.	27098
Shimadzu Plug	100-pk.	27099

## Viton O-Rings

for Shimadzu 17A, 2010, 2014, and 2030 GCs

Instrument	Max Temp	qty.	Similar to Part #	cat.#
for Shimadzu 17A, 2010, 2014, and 2030 GCs	250 °C	10-pk.	Shimadzu 036-11203-84	24899

## Topaz 3.5 mm ID Single Taper Inlet Liner w/ Wool

for Shimadzu 17A, 2010, 2014, and 2030 GCs equipped with split/splitless inlets

ID x OD x Length	Packing	qty	cat.#
<b>Single Taper, Premium Deactivation, Borosilicate Glass</b>			
3.5 mm x 5.0 mm x 95 mm	Quartz Wool	5-pk.	23336

## Topaz 3.5 mm ID Single Taper Inlet Liner

for Shimadzu 17A, 2010, 2014, and 2030 GCs equipped with split/splitless inlets

ID x OD x Length	qty	Similar to Part #	cat.#
<b>Single Taper, Premium Deactivation, Borosilicate Glass</b>			
3.5 mm x 5.0 mm x 95 mm	5-pk.	Shimadzu 221-48335-01	23321

## Topaz 3.5 mm ID Precision Inlet Liner w/ Wool

for Shimadzu 17A, 2010, 2014, and 2030 GCs equipped with split/splitless inlets

ID x OD x Length	Packing	qty	cat.#
<b>Precision, Premium Deactivation, Borosilicate Glass</b>			
3.5 mm x 5.0 mm x 95 mm	Quartz Wool	5-pk.	23320

## Topaz 3.5 mm ID Cyclo Single Taper Inlet Liner

for Shimadzu 17A, 2010, 2014, and 2030 GCs equipped with split/splitless inlets

ID x OD x Length	qty	cat.#
<b>Cyclo Single Taper, Premium Deactivation, Borosilicate Glass</b>		
3.5 mm x 5.0 mm x 95 mm	5-pk.	23456

View our complete range of Shimadzu inlet parts at [www.bgb-info.com/restek](http://www.bgb-info.com/restek)

*Our tool-free inlet parts are designed to make column installation and inlet maintenance easier and quicker, reducing the downtime of your Shimadzu GC.*



## Tool-free Column Installation Kit

Description	Includes	Instrument	qty.	cat.#
Tool-free Column Installation Kit	Inlet adaptor, retaining nut, back washer, and Hot Swap column nut	for Shimadzu 17A, 2010, 2014, and 2030 GCs	kit	27220
Tool-free Column Installation Kit (Siltek Treated)	Siltek-treated inlet adaptor, retaining nut, back washer, and Hot Swap column nut	for Shimadzu 17A, 2010, 2014, and 2030 GCs	kit	27221

## Inlet Adaptor

Description	Instrument	qty.	Similar to Part #	cat.#
Inlet Adaptor	for Shimadzu 17A, 2010, 2014, and 2030 GCs	ea.	Shimadzu 221-42998-00	27222
Inlet Adaptor (Siltek Treated)	for Shimadzu 17A, 2010, 2014, and 2030 GCs	ea.	Shimadzu 221-42998-00	27223

## Back Washer

Description	Instrument	qty.	Similar to Part #	cat.#
Back Washer	for Shimadzu 17A, 2010, 2014, and 2030 GCs	ea.	Shimadzu 201-30051-84	27226

## Retaining Nut

Description	Instrument	qty.	Similar to Part #	cat.#
Retaining Nut	for Shimadzu 17A, 2010, 2014, and 2030 GCs	ea.	Shimadzu 201-30008-00	27225

## Graphite Capillary Ferrules for 1/16-Inch Compression-Type Fittings

Ferrule ID	Fits Column ID	Material	qty.	cat.#
0.4 mm	0.025/0.05/0.075/0.10/0.15/0.18/0.20/0.25 mm (fused silica); 0.18 mm (MXT)	Graphite	10-pk.	20200
0.5 mm	0.32 mm (fused silica); 0.25/0.32 mm (MXT)	Graphite	10-pk.	20201
0.8 mm	0.45/0.53 mm (fused silica); 0.53 mm (MXT)	Graphite	10-pk.	20202

## Vespel/Graphite Capillary Ferrules for 1/16-Inch Compression-Type Fittings

Ferrule ID	Fits Column ID	Material	qty.	cat.#
0.4 mm	0.025/0.05/0.075/0.10/0.15/0.18/0.20/0.25 mm (fused silica); 0.18 mm (MXT)	VG1, 85% Vespel/15% Graphite	10-pk.	27062
0.5 mm	0.32 mm (fused silica); 0.25/0.32 mm (MXT)	VG1, 85% Vespel/15% Graphite	10-pk.	27064
0.8 mm	0.45/0.53 mm (fused silica); 0.53 mm (MXT)	VG1, 85% Vespel/15% Graphite	10-pk.	27067

## Hot Swap Column Nut for 1/16" Fittings

Description	qty.	cat.#
Hot Swap Column Nut for 1/16" Fittings	ea.	27224

## Capillary Installation Gauge for 1/16" Fittings

Description	qty.	cat.#
Capillary Installation Gauge for 1/16" Fittings	ea.	27227

For other Hot Swap configurations for Shimadzu GCs, visit [www.restek.com/FingerTight](http://www.restek.com/FingerTight)